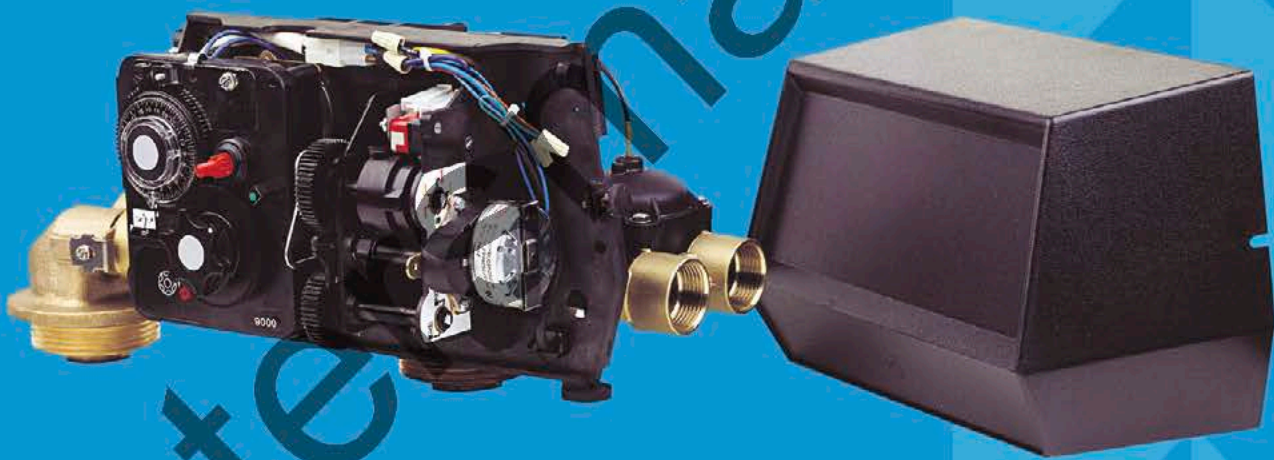




# TECHNICAL SHEET

**FLECK**

TWIN VALVE SERIE 9000





## FLECK VALVE TWIN SERIE - 9000

### TECHNICAL CHARACTERISTICS



- Soft water continuously, one tank in use, the second one in regeneration or stand-by
- Regeneration with softened water.
- Valve body in brass, which permit to adapt the hot water option up to 65°C
- Adjustable cycles
- Fast connection of the second tank, to order separately
- Upflow regeneration

### TECHNICAL SPECIFICATIONS

#### VALVE SPECIFICATIONS

Material	Brass
Hydrostatic pressure	20 bar
Working pressure	1.8 - 8.5 bar
Working temperature	1 - 43 °C
Electrical rating	24 V / 50 or 60 Hz
Protection index	IP 22
Certificates	2004/108/CE, Electromagnetic compatibility 2006/95/CE, Low voltage D.M. 174/04, Italian norm

#### FLOW RATE (3.5 BAR INLET - VALVE ALONE)

	¾ inch	1 inch
Continuous [ $\Delta p = 1$ bar]	4 m <sup>3</sup> /h	4.7 m <sup>3</sup> /h
Peak [ $\Delta p = 1.8$ bar]	5.4 m <sup>3</sup> /h	6.3 m <sup>3</sup> /h
Cv*	4.8 gpm	5.1 gpm
Maximum backwash [ $\Delta p = 1.8$ bar]	1.9 m <sup>3</sup> /h	1.9 m <sup>3</sup> /h

\* Cv: Flow rate of valve alone in gpm at 0.07 bar pressure drop.

#### DOWN FLOW REGENERATION

	Mechanical	Electronic
Cycles	Adjustable	Adjustable
Time available	164 min	199 min each cycle

## CONNECTIONS

Inlet / outlet	¾ or 1 inch BSP
Distributor tube	26.7 mm [1 inch]
Drain line	½ inch
Brine line 1600	¾ inch
Mounting base	2 ½ inches - 8 NPSM
Height (from top of tank)	165 mm
<b>Tank size application (recommended)</b>	
Water softener	6 - 16 inches (150 - 400 mm)

## METER

	¾ inch	1 inch
Accuracy range (± 5%)	1 - 57 Lpm	2.6 - 151 Lpm
Standard capacity range	0.5 - 8 m³	1 - 20 m³
Extended capacity range	2.5 - 40 m³	5 - 100 m³

## REGENERATION CYCLES

### Upflow

- 1) Brine and slow rinse (Upflow)
- 2) Backwash (Upflow)
- 3) Rapid rinse (Down flow)
- 4) Brine tank refill
- 5) Service

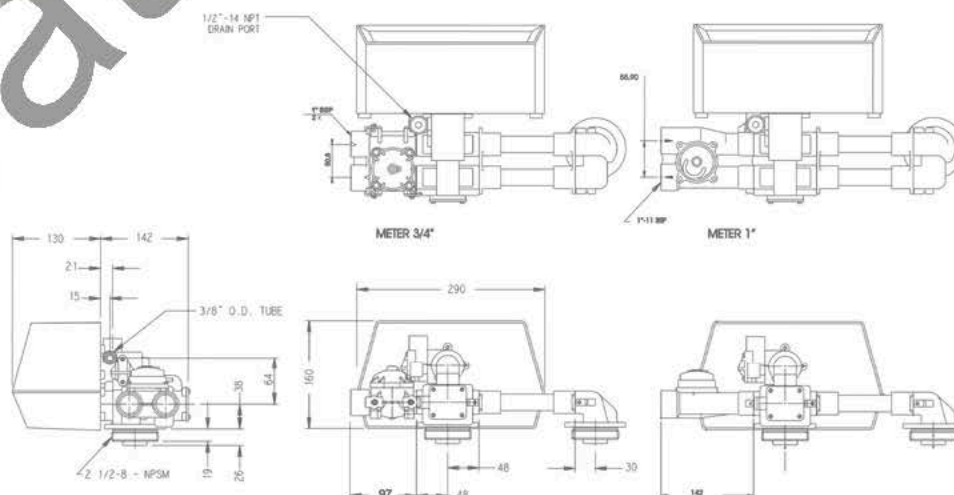
### Down flow

- 1) Backwash (Upflow)
- 2) Brine and slow rinse (Down flow)
- 3) Rapid rinse (Down flow)
- 4) Brine tank refill
- 5) Service

## OPTIONS

Regeneration	Upflow
Electronic	ET, SXT
Hot water	65°C
By-pass	Valve ¾ inch

## DIMENSIONS





watersmarket.ru

[www.pentairaquaeurope.com](http://www.pentairaquaeurope.com)